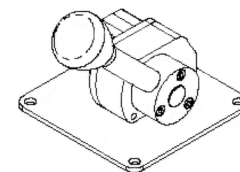
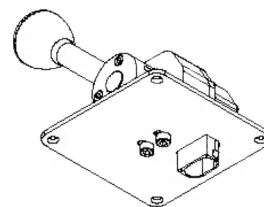
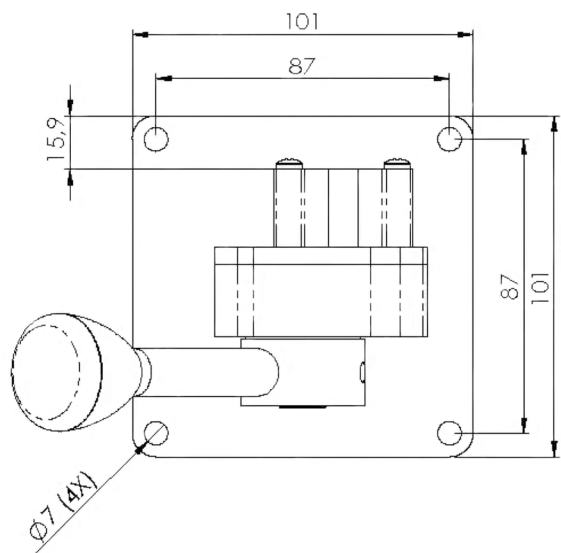
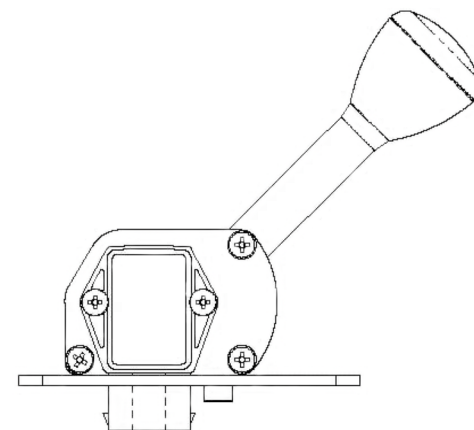
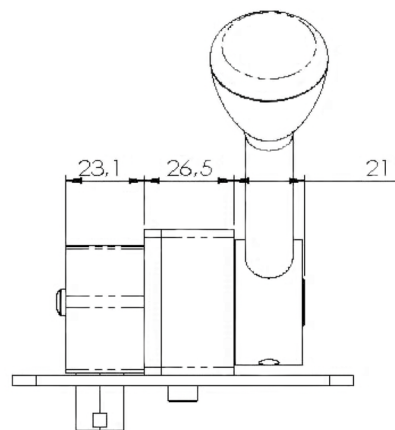


Full



UNLESS OTHERWISE SPECIFIED: DIMENSIONS ARE IN MILLIMETERS TOLERANCES: LINEAR: ±0.1mm ANGULAR: ±0.1°		FINISH:	PROJECTION:	DO NOT SCALE DRAWING	SEE: A3
DRAWN: JST		CREATED DATE: 29/10/2008		PART NO: 972 X90 XX	
CHKD: LJY		REV. DATE: 16/11/2017		TITLE: Top Mounted Hand Throttle	
MATERIAL:			DWG NO. 503 419		REV. A
This drawing is confidential and remains the sole property of Mobile Control Systems S.A. This document is protected in accordance with the prevailing law.			WEIGHT: . gr		SHEET 1 OF 1